

THE ULTIMATE SOLUTION



Fabric roll and motor canopies are both available.

Wind rollers prevent blowout.

"Soft" acceleration and deceleration available.

Quick and easy installation.

Breakaway bottom bar repairs in seconds.



The wireless bottom bar features a reversing edge and impact sensor that are virtually maintenance free. ***This saves time and money!***

The "SuperEdge" reversing system is completely water proof. Temperature change has little to no effect on its sensitivity...***Result...reduced service calls!***

The heart of the 8500 Series TURBO DRIVE System is its direct drive technology. No chains or clutches are used for superior reliability. It can operate at speeds up to 100" per second.

Heavy duty steel frame can be painted, galvanized or stainless steel.

"The 8500 Platinum Door is quite simply the most technologically advanced door on the market today".



Now with "SuperLogic III", the control panel is fully programmable with a multifunctional LCD display that continually shows the status of the door. It features three language settings, English / Spanish / French, digitally controlled limit adjustment and simplified troubleshooting. The control panel is a Nema 4X non-metallic cabinet.

HIGH SPEED ENVIRONMENTAL CONTROL DOORS

The 8500 Platinum is the optimum solution for quick access through openings up to 16' x 18'. The Platinum is designed for high volume, high speed traffic in commercial, industrial, or refrigerated applications. Its simple construction will outlast and outperform the competition. The Platinum provides an effective barrier against energy loss and sound, thereby improving productivity and employee comfort. The New Platinum door boasts a state of the art "SuperLogic III" system that is user programmable. Single speeds of 32" per second, programmable dual speeds of 50" or 100" per second. A factory installed Through Beam Photo Electric Eye, Wireless Electronic Reversing Edge, and Impact Sensor is also standard.



www.supersealmfg.com

SuperSeal Mfg. Ltd.

Tel: 905.850.2929 Tel: 1.800.337.3239

Fax: 905.850.2922 Fax: 905.850.4440

670 Rowntree Dairy Rd., Woodbridge, Ontario, Canada L4L 5T8

SPECIFICATIONS

Platinum Door Standard Specifications

MAXIMUM SIZE: 16'0" w x 18'0" h
MOUNTING: Interior - minimum wind load
HEADER CLEARANCE: 17" Above clear opening.
DOOR PANEL THICKNESS: "SuperTuff" vinyl.
DOOR PANEL COLOURS: Orange, Blue - Consult factory for others.
BOTTOM BAR: Breakaway with wireless "SuperEdge" and impact sensor.
UPRIGHTS: 11 gauge steel mounting tracks finished in black hammertone paint.
DRIVE: High efficiency Turbo Drive brake motor with synthetic lubricated gearbox.
SPEED: 32" per second up to 12' x 12' in size.
INPUT VOLTAGE: Coordinated with building electrical system. Supply rated at 208-240, 460-480, 575-600 VAC, three phase, 60 Hz.
CONTROLLER: SuperLogic III, with LCD display and LED indicators.
LIMITS: Linear position system with HALL effect sensors.
LANGUAGES: English, French, Spanish.
PHOTOCELL: Through beam photo electric eye pre-installed in uprights.
MANUAL OPERATION: Crank handle (open/close)

Optional III Plus Package

SPEED PACKAGE INCLUDES



CONTROLLER: SuperLogic III Plus, with LCD display and LED indicators.

SPEED: User programmable opening speeds of 100", 65" per second.

DRIVE: Turbo drive, maintenance free motor with synthetic lubricated gearbox.

Door Options

- Fabric Roll Canopy
- Motor Canopy
- Galvanized Steel Frame
- Stainless Steel Frame
- Freezer Packages
- Clean Room Application
- Projection Frame
- Full or Multiple Windows
- Interlock Control Panel
- Custom Design Available

Additional Activation Options

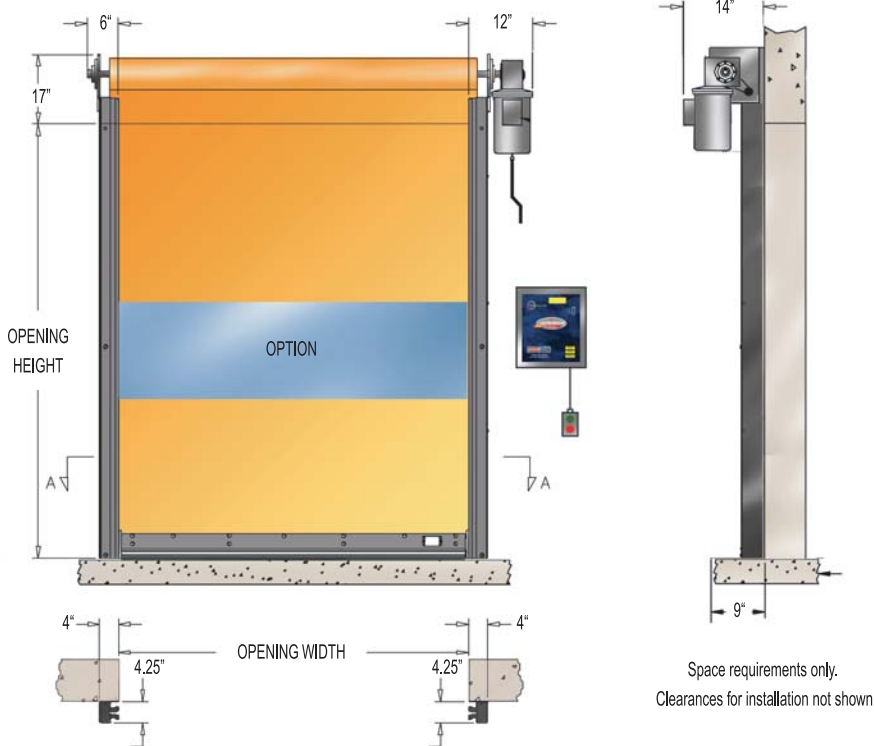
- Pull Cord
- Remote Push Button Station
- Floor Loop
- Motion Detector
- Radio Control
- Photo Eye

Extra Reversing Device Options

- Photo Eye
- Presence Detector
- Floor Loop Detector

Communication Devices

- Super Guide Traffic Lights
- Beacon Warning Light
- Horn
- RS485 - Serial Communication Available



DEALER IMPRINT



** All Super Seal products are subject to design modifications without notice. Product may be shown with options. E.&O.E